

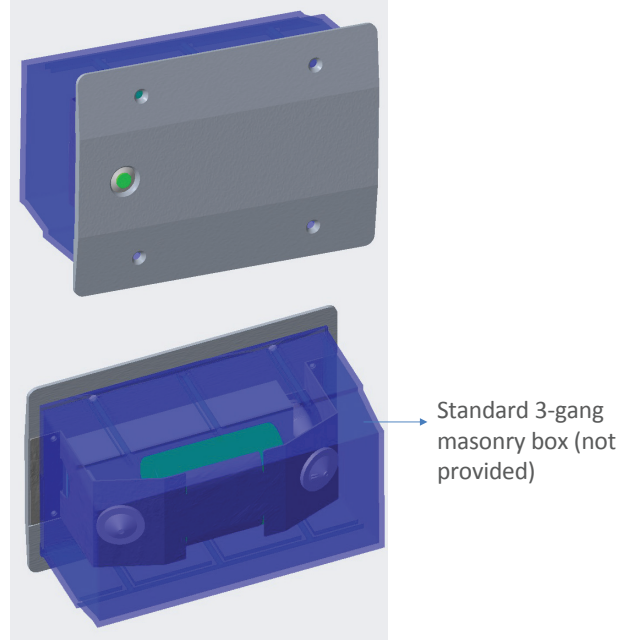


# RPS07 SERIES

Remote Emergency Power Supply



PROJECT: \_\_\_\_\_  
 FIXTURE TYPE: \_\_\_\_\_  
 LOCATION: \_\_\_\_\_  
 CONTACT/PHONE: \_\_\_\_\_



Standard 3-gang masonry box (not provided)

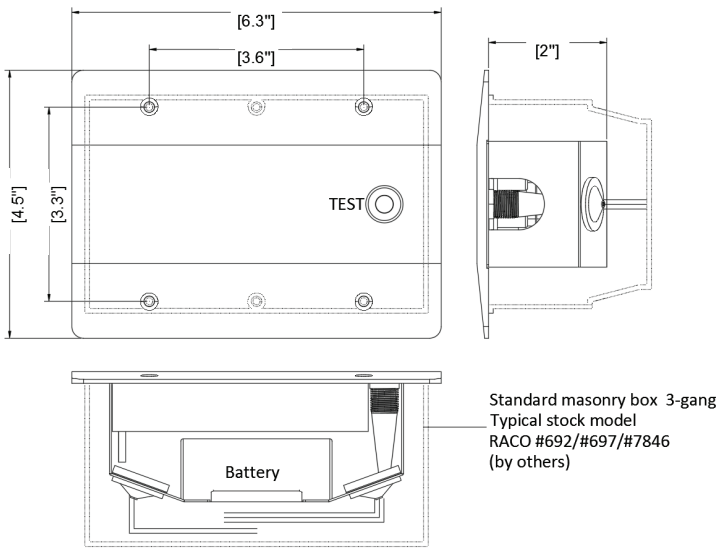
## MAIN ADVANTAGES

- Damp location for Indoor used.
- Solid-State Voltage Limited Charger
- Operating temperature 0°C~50°C
- Overload/Short Circuit Protection
- Test Switch/Power Indicator Light
- Direct mount to standard 3-gang masonry box (RACO 697/692) or 3-gang cable box (7846RAC)

## TECHNICAL SPECIFICATION

AC normal supply	120-277V AC 60Hz
DC output	6.4VDC Max 1.5A
Remote Capability	8 Watts
Operation	Manual test
Mounting	Mount to standard 3-gang masonry box
Housing material	Aluminum extrusion
Ambient temperature range	5°C~50°C
Certification	UL
Warranty	3 Years

## DIMENSIONS



## ORDERING INFORMATION

Model	Housing Color
RPS07	DB = Dark Bronze
	NK = Nickel
	W = White
	B = Black

Ordering Example: RPS07-DB



# RPS07 SERIES

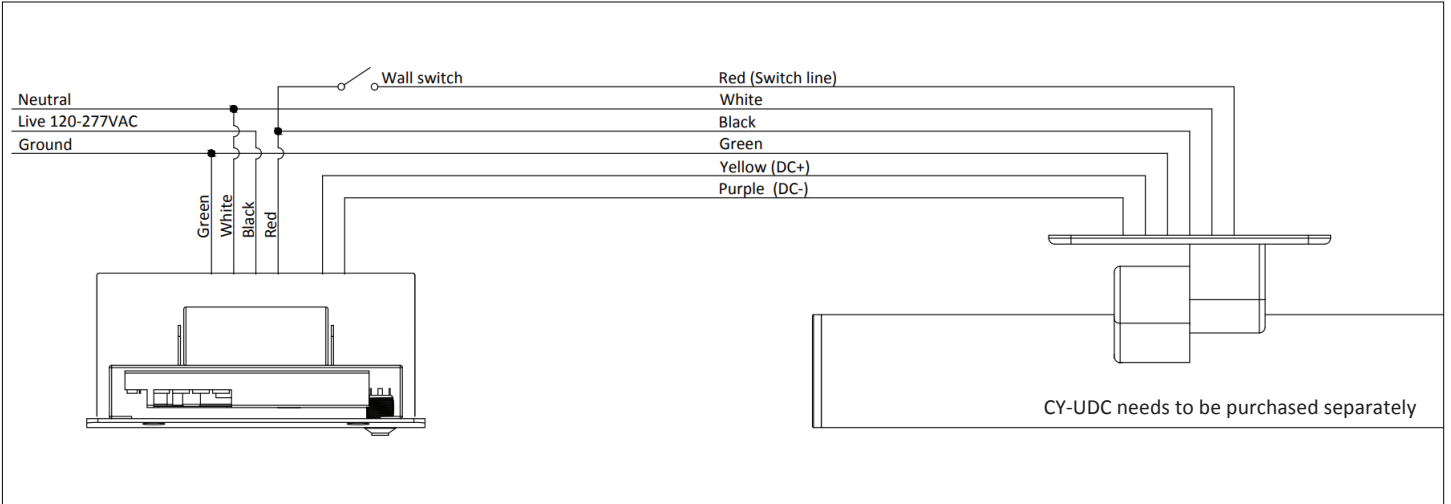
Remote Emergency Power Supply



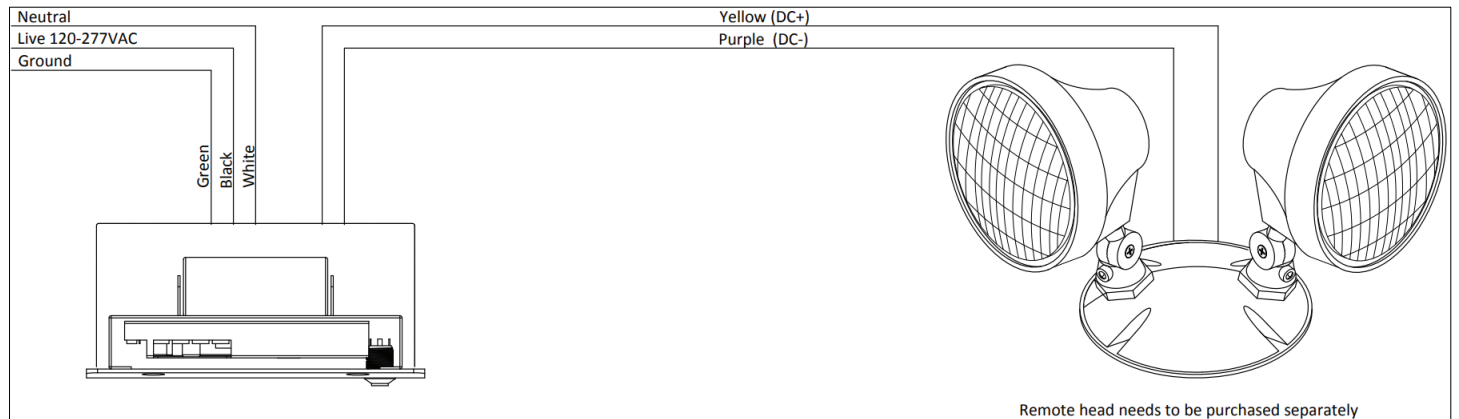
PROJECT: \_\_\_\_\_  
 FIXTURE TYPE: \_\_\_\_\_  
 LOCATION: \_\_\_\_\_  
 CONTACT/PHONE: \_\_\_\_\_

## WIRING DIAGRAM

### For CY-UDC



### For Remote Heads





## RPS07 SERIES

Remote Emergency Power Supply



PROJECT:

FIXTURE TYPE:

LOCATION:

CONTACT/PHONE:

### CENTER TO CENTER SPACING DISTANCE



**Electrical Box: Steel, 2 1/2 in Nominal Dp, 5 19/32 in Nominal Wd, 3 3/4 in Nominal Lg, 3 Gangs**

Item 1RVX5 Mfr. Model 692



**Electrical Box: Galvanized Steel, 3 1/2 in Nominal Dp, 5 19/32 in Nominal Wd, 3 3/4 in Nominal Lg**

Item 2DDA2 Mfr. Model 697

**Catalog #: 7846RAC**

