



# MERU Series

LED GENERAL & EMERGENCY LIGHTING



PROJECT: \_\_\_\_\_  
 FIXTURE TYPE: \_\_\_\_\_  
 LOCATION: \_\_\_\_\_  
 CONTACT/PHONE: \_\_\_\_\_

## PRODUCT DESCRIPTION

The MERU Series is an architectural, low-profile outdoor light, offering “normally On” AC and emergency lighting with powerful LED illumination. The housing is fully sealed and gasketed, and has an IP65 rating. Designed for wall mounting with universal K/O pattern in back-plate for easy installation to most standard size junction boxes. Includes a single 1/2” NPT conduit entry in the top, center of the housing. Illumination provided by 8 high power LEDs which achieve 1,800 lumens in AC and 600 lumens in emergency. LED color at 4000K.

## PRODUCT SPECIFICATIONS

### CONSTRUCTION

Die cast aluminum housing with superior heat sink • Scratch resistant Polyester powder coat finish • UV resistant polycarbonate lens • Snap-fit housing and mounting plate are held together by four stainless steel clips • Universal mounting pattern molded into the back plate • 1/2" threaded top access for surface conduit installation • Silicone rubber seal with hollow center, shape adaptive design protects the electrical components • Junction box neoprene seal is attached to the back plate for a weather proof installation • Dark Bronze or White textured finish.

### ELECTRICAL

Dual Voltage 120-277V 60Hz input • Solid state charging and switching • Battery low voltage disconnect • AC power indicator and test switch at the bottom of the unit • Standard with Self Diagnostics to monitor proper operation.

### LAMPS

Supplied with eight (8) LG SMD 4000K LED'S • L70 > 72,000hours • 17 Watts total (32 Watts with IH option) • 1800 Lumens in AC mode, 600 Lumens in Emergency mode • Full cut-off optics for Dark Sky compliance

### BATTERY

Maintenance-free, long-life rechargeable NiCad battery will operate fixture for a minimum of 90 minutes in the event of a power outage • 24 hour recharge after 90 minute discharge.

### CODE COMPLIANCE

UL924 • Listed for wet location applications (0°C-50°C) • Optional "IH" cold weather package for (-40°C-50°C) • IP65 Rated • NFPA 101 Life Safety Code compliant • NFPA 70 • NEC and OSHA compliant • DLC Listed • RoHS Compliant

### WARRANTY

5-year warranty. Product specifications subject to change without notice.

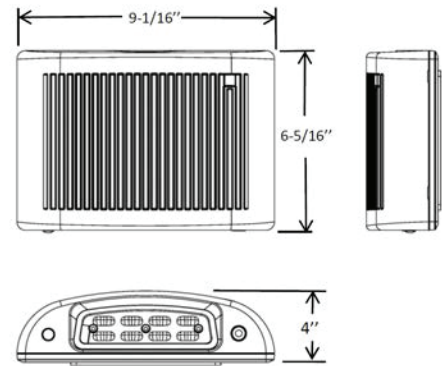
## INSTALLATION

### MOUNTING

Suitable for indoor or outdoor wall mounting on junction box, or with surface conduit using the supplied 1/2" threaded top access • Mounting plate has molded universal mounting pattern for simple mounting over junction box.

## ORDERING INFORMATION

model	operation mode	housing color	options
MERU-LED	ACEM = General & Emergency Lighting AC = General Lighting	DB = Dark Bronze WH = White BK = Black NK = Nickel	Self-Diagnostics & Photocell (Included Standard) IH = Internal Heater
Ordering Example: MERU-ACEM-DB			



### ACEM Model (NiCad Battery Backup)

**Integral photocell:** Unit operates as a dusk to dawn luminaire and in the event of a power failure as an emergency light.

**Remote Switched:** The integral photocell can be defeated to allow remote switching for normal operation. In the event of a power failure unit operates as an emergency light.

### BUG Rating: B1-U1-G0





# MERU Series

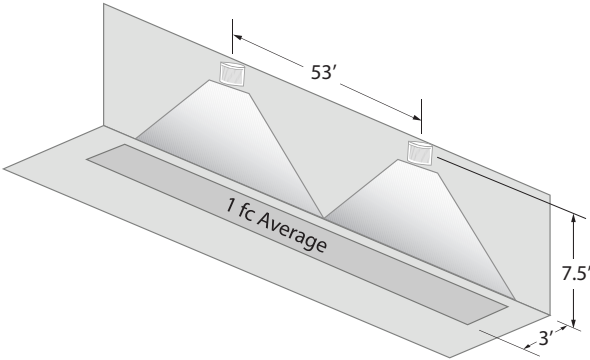
LED GENERAL & EMERGENCY LIGHTING



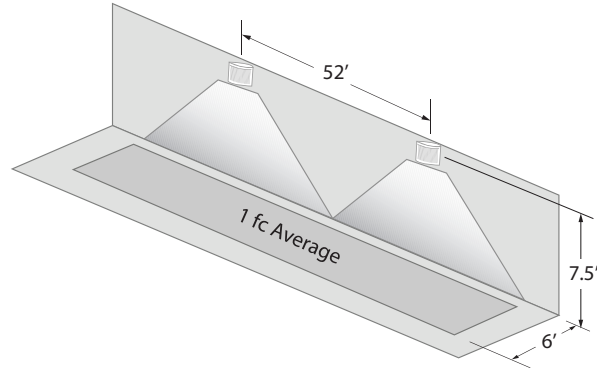
PROJECT: \_\_\_\_\_  
 FIXTURE TYPE: \_\_\_\_\_  
 LOCATION: \_\_\_\_\_  
 CONTACT/PHONE: \_\_\_\_\_

## PHOTOMETRICS

### 3ft Path Spacing



### 6ft Path Spacing



## SELF DIAGNOSTICS

### Included Self Diagnostic

<b>Diagnostic Indicator / Test Switch</b>	<span style="color: green;">●</span> Ready	<b>Manual Testing</b> Press button once - 1 minute test Press button twice - 5 minute test Press button 3 times - 30 minute test Press button 4 times - 90 minute test
	<span style="color: green;">●</span> In Test	
	<span style="color: red;">●</span> Battery Circuit Fault	
	<span style="color: red;">●</span> Battery Capacity Failure	
	<span style="color: red;">●</span> Charger Failure	
	<span style="color: red;">●</span> Transformer Fault	
<span style="color: red;">●</span> Lamp Failure		

*Full self-test, self-diagnostic system is standard in every unit, performs a monthly, test as well as continuously monitoring all functions to ensure reliability, a manual test may be initiated at any time*

