



## IMPORTANT SAFEGUARDS

When using electrical equipment, basic safety precautions should always be followed including the following:

### READ AND FOLLOW ALL SAFETY INSTRUCTIONS

1. Disconnect power at fuse or circuit breaker before installing or servicing.
2. Do not mount in hazardous locations, or near gas or electric heaters.
3. Do not let power cords touch hot surface.
4. Equipment should be mounted in locations and at heights where it will not be subjected to tampering by unauthorized personnel.
5. The use of accessory equipment not recommend by the manufacturer may cause an unsafe condition.
6. Do not use this equipment for other than intended use.
7. All servicing should be performed by a qualified personnel only.
8. Allow battery to charge for 24 hours before first use.

- SEE UNIT LABEL FOR ADDITIONAL MODEL SPECIFICATIONS
- SAVE THESE INSTRUCTIONS FOR USE BY OWNER/OCCUPANT

**NOTE:** Allow battery to charge for 24 hours before first use.

## INSTALLATION

### MAINTENANCE

None required. Replace the batteries as needed according to ambient conditions. However, we recommend that the equipment be tested regularly in accordance with local codes.

### OPERATION

Press the test button. The LED heads will turn on and the LED indicator will turn off. Release the test switch, LED indicator will turn on and the LED heads will turn off.

### TROUBLE SHOOTING GUIDE

If LED lamp or LED indicator does not illuminate, check the following:

1. Check AC supply - verify that unit has 24 hours AC supply.
2. Unit is shorted or battery is not connected.
3. Battery discharge. Permit unit to charge for 24 hours then re-test.
4. If above trouble shooting hints do not solve you problem, contact factory for assistance.

### Luminaire ON / OFF Control Facility

There are 2 kinds of ON/OFF control facility for the luminaire at normal supply:

- 1, Standard(default) facility, luminare on/off control by photosensor, if ambient Illumination < 10Lx luminaire turn on automatically, if Illumination > 30Lx, luminaire turn off.

Photosensor facility can change to Wall switch control unit, remove jumper calbe, connect external wall switch device between terminal 1 and 2 (see Fig 4).

- 2, Photosenor & PIR facility, luminare control by photosensor & PIR, if ambient Illumination < 10Lx, PIR sensor detect human move, luminaire turn on, stay on 2minutes, PIR sensor do not detect human move, luminaire keep off.

If ambient Illumination > 30Lx, luminaire keep off.

When normal supply fails, luminaire will convert to emergency mode.

Open fixture

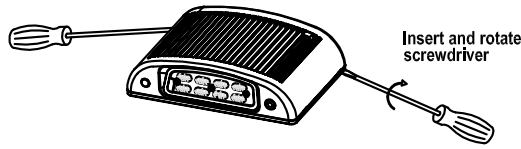


Fig 1

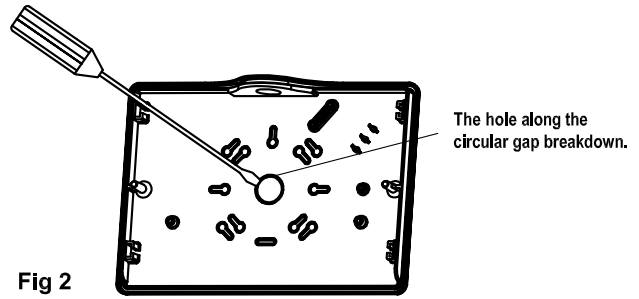


Fig 2

Black 120-277V/AC  
White NEUTRAL  
Green Ground

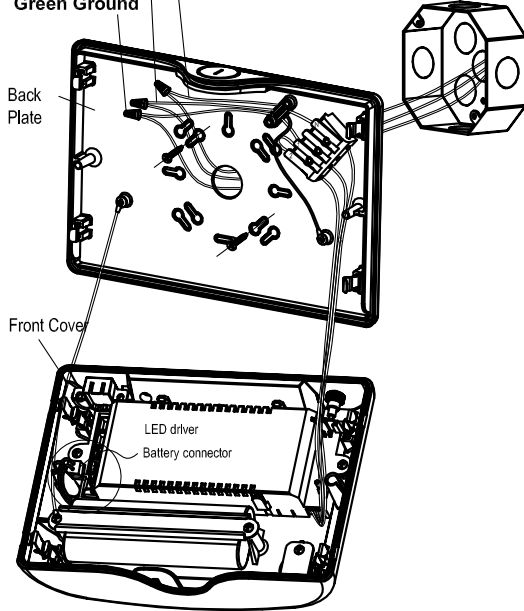


Fig 3

### Wall Mount-Back Power Feed (see Fig 2)

1. Use flat blade screwdriver insert the two slots and make rotation then remove front cover from back plate (see Fig 1).
2. Remove appropriate knockout on back plate for mounting, remove center knockout hole on back plate.
3. Feed building wires through the center hole, securely backplate to J-box by screws provided.
4. Connect the unit wires to building power supply wires using the wire nuts provided. Connect the white wire to neutral, connect the black wire to hot lead(120-277V), feed the wires and wire nuts back into J-box through back plate(see Fig 3).
5. Plug battery male connector into battery female connector on LED driver.
6. Make correct heater pad connection if unit have heater pad option (see instruction for heater pad).
7. Snap the front cover on the back plate.
8. Restore power and press test button, LED heads will turn on.

### Conduit Mounting

1. Remove NPT 1/2" pipe plug from top of unit.
2. Open unit, secure unit on conduit and feed wire into unit.
3. Reference 4-7 step for wall mounting instruction.

### Wiring Connector

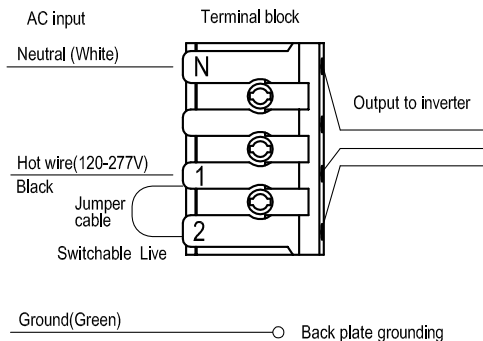
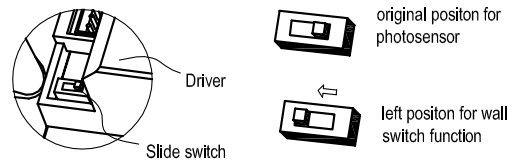


Fig 3

### Photosensor convert to Wall Switch

1. Put slide switch knob to left position, photosensor convert to wall switch facility.



2. Remove jumper, connect wall switch on terminal 1, 2. If leave jumper cable on terminal block, luminaire always ture on normal supply.

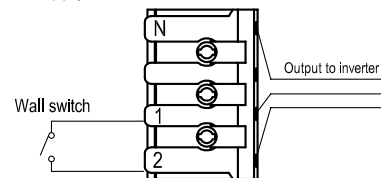


Fig 4



**RECYCLING INFORMATION**  
All steel, aluminum and thermoplastic parts are recyclable. All cartons contain recycled materials. Please recycle responsibly.

To convert ACEM version to EM only fixture version, remove the jumper cable, see figure below.

