



LED Combination Series – MDC

CAST ALUMINUM LED EXIT/LED EMERGENCY COMBO



PROJECT: _____
 FIXTURE TYPE: _____
 LOCATION: _____
 CONTACT/PHONE: _____

PRODUCT DESCRIPTION

The MDC model combination LED Exit / LED Emergency unit is the first all LED combination unit on the market. This specification grade unit offers tremendous flexibility. The LED emergency light heads can be adjusted to aim the light where desired. The Exit sign may be illuminated with either Red or Green high-powered LED's and the housing is available in several colors or color combinations. Ideal for architectural and commercial installations.

PRODUCT SPECIFICATIONS

CONSTRUCTION

Die cast aluminum housing and faceplate • Includes diecast aluminum canopy for top or end mounting • Universal mounting pattern knockouts for J-box mounting • Pre-drilled canopy attachment locations with easily removed hole covers • Integral wiring channels • Snap-fit faceplate • Accessory faceplate offered to field-convert from single to double face • 6" letters with 3/4" stroke width • Full size, 3/4" wide chevron directional indicators • Easily removable chevron directional indicators • Red or green letters • Available in white, black, and all brushed aluminum.

ELECTRICAL

Dual voltage 120/277VAC • Solid state charging and switching • Brownout protection • Overload and short circuit protection • AC power indicator and test switch.

LAMPS

Long life, energy saving LED lamps • Exit sign LEDs are single color (red or green) and connected in a series/parallel configuration such that the unlikely failure of one LED will affect no more than one other LED.

LED HEADS

Includes (2) 3 watt white LED lighting heads fully adjustable and protected with an acrylic shield.

BATTERY

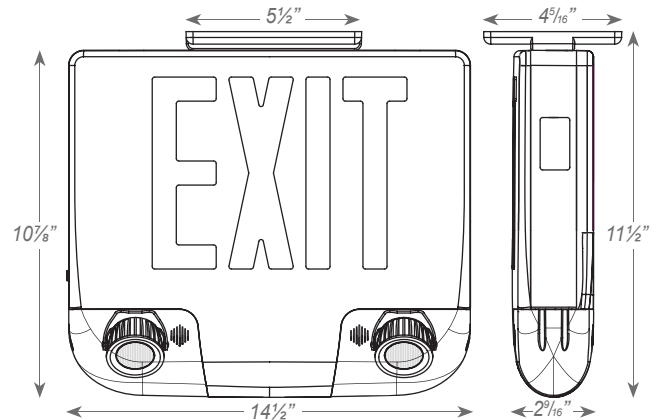
Long-life, maintenance-free, high performance nickel cad-mium • Designed to operate over a wider range of temperature conditions (32°F-100°F recommended operating range) • Battery will operate sign and the two heads for a minimum of 120 minutes in the event of a power outage.

CODE COMPLIANCE

UN: 46 EF cor r "teckap tcvf "EP HRC"323" Nkg Uchv "Eqfg"eqo r rickpvEP GE"cpf" QUI C"eqo r rickpv0

WARRANTY

5-year warranty. Product specifications subject to change without notice.



INSTALLATION

MOUNTING

May be top, end or back mounted • All signs include die cast aluminum canopy and mounting hardware for easy top or end mount installation • Backplate includes universal mounting pattern knockouts for simple J-box mounting • Single face versions are field convertible to double face using accessory faceplate.



ORDERING INFORMATION

model	# of faces	letter color	housing color	face color	options
MDC	1 Single	R Red	A Aluminum	A Aluminum	REM ² Remote Capacity
	2 Double	G Green	B Black	B Black	VRS2 Poly Guard (back mount)
	U ¹ Universal		W White	W White	WG5 Wire Guard (back mount)

Notes

¹Universal includes 2nd exit face and backplate

² 3 watts of remote capacity for use with up to (2) ASR remote heads

Ordering Example MDC-1-R-A-A



LED Combination Series – MDC

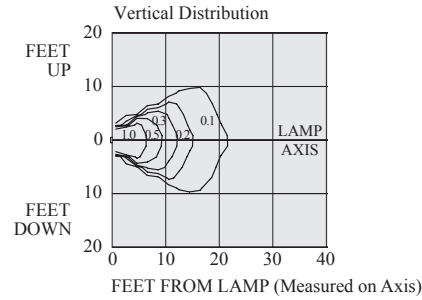
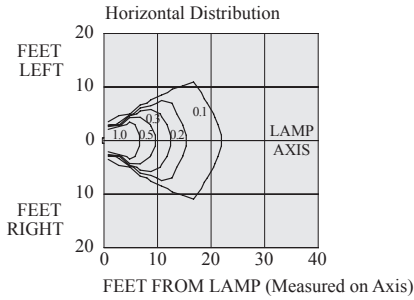
DIE CAST ALUMINUM LED EXIT/LED EMERGENCY COMBO



PROJECT: _____
 FIXTURE TYPE: _____
 LOCATION: _____
 CONTACT/PHONE: _____

PHOTOMETRICS

Luminaire MDC (Single Head LED EM)



BATTERY DATA

- NiCad battery warranted for five full years with an additional 5 years pro-rated warranty

Type	Battery Voltage	Shelf Life ¹	Expected Life ¹	Temperature Range ²
NiCad (Std. and HO)	8.4V, 1700mA	3 years	8-10 years	32°F-100°F

¹ At 77°F

² To obtain rated life and capacity.

ENGINEERING DATA

	Input Voltage	Max. Amps	Max. Watts	Standby Watts*
Red LED	120	0.06	5.6	4.1
Red LED	277	0.03	5.6	4.2
Green LED	120	0.06	5.6	4.1
Green LED	277	0.03	4.8	4.2

* Fully charged battery.