

INSTALLATION INSTRUCTIONS AND OWNER'S MANUAL

CAUTION:
DAMAGE TO BATTERY MAY OCCUR IF BATTERY IS CONNECTED TO CHARGER BOARD FOR A PERIOD EXCEEDING 24 HOURS WITHOUT AC POWER PROVIDED.

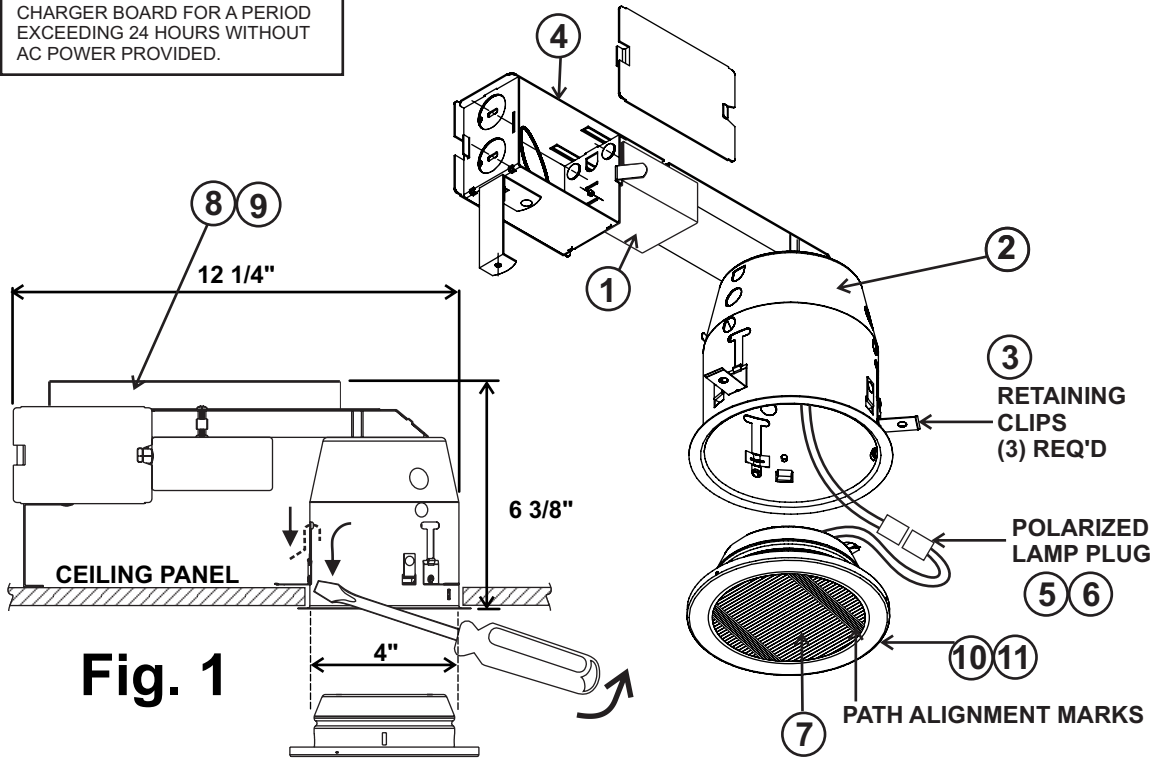
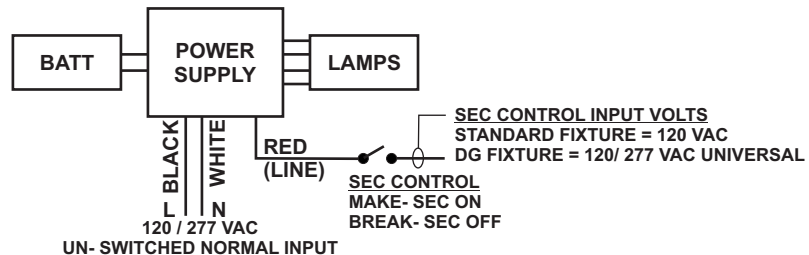


Fig. 1

1. Locate fixture position and drill 4" clearance hole in ceiling tile. See SPACING GUIDE for 1 Foot Candle average illuminance.
 2. Route 120 VAC wiring through ceiling hole. Run supply wiring to outlet box and make connection from AC building supply. BLACK: 120 VAC. WHITE: NEUTRAL. GREEN: GROUND.
 3. If retaining clips are assembled to housing, remove and set aside. Insert fixture assembly through ceiling hole.
 4. See Fig. 1. From inside housing, insert the three retaining clips into slots in housing. Use flat blade screwdriver to slide clips down until in contact with top of ceiling panel.
 5. Connect polarized lamp plug and insert lamp assembly into housing and snap into place. ROTATE LAMP ASSEMBLY TO LINE UP MARKERS ON LENS WITH PATH OF EGRESS. NOTE - LAMPS WILL TURN ON UNTIL AC POWER IS APPLIED.
 6. Apply AC power and check lamps turn OFF. Operate PUSH TO TEST for lamp operation.
- NOTES (1): LAMPS WILL ILLUMINATE ON BATTERY POWER IF AC SUPPLY IS OFF. TO LIMIT BATTERY DISCHARGE, TURN AC POWER ON.
(2) LAMP ASSEMBLY MUST BE CORRECTLY ORIENTED WITH RESPECT TO PATH OF EGRESS. ROTATE LAMP ASSEMBLY SO THAT ALIGNMENT MARKS ARE IN LINE WITH THE PATH OF EGRESS.

6. Apply AC power and check test switch operation

SECURITY LIGHTING SWITCH CONTROL OPTION



IMPORTANT SAFEGUARDS READ AND FOLLOW ALL SAFETY INSTRUCTIONS

1. Disconnect AC power before servicing.
2. Refer to wiring diagram for proper connections.
3. All servicing should be performed by qualified personnel.
4. Consult your local building code for approved wiring and installation.
5. Do not use outdoors.
6. Do not use this equipment for other than intended use.
7. Do not let power cords touch hot surfaces.
8. Mount and secure the fixture at a location and height to avoid ready access and tampering by unauthorized persons.
9. The use of accessory equipment is not recommended by the manufacturer and may cause an unsafe condition.

SAVE THESE INSTRUCTIONS