



SQ-80 / SQ-120

COMMERCIAL GRADE THERMOPLASTIC EMERGENCY LIGHT



PROJECT: _____
 FIXTURE TYPE: _____
 LOCATION: _____
 CONTACT/PHONE: _____

PRODUCT DESCRIPTION

The decorative and efficient Econo-Lite™ Series is ideal for commercial and institutional environments where appearance, ease of installation and low maintenance is desired. The modern, low-profile design of these emergency lighting units facilitates use in limited space applications without sacrificing performance. The universal mounting plate features a labor-saving Quick Connect plug.

PRODUCT SPECIFICATIONS

CONSTRUCTION

Injection molded, engineering-grade, UV-stable thermoplastic • UL94V-0 flame rating • Impact, scratch, fade and corrosion-resistant • Snap-fit housing and mounting plate • Universal mounting plate with quick-connect feature reduces installation labor • White or black textured finish.

ELECTRICAL

Dual 120/277 voltage standard • Rated for use in damp locations • Solid state charging and switching • Brownout protection • Battery low voltage disconnect • Overload and short circuit protection • AC power indicator and test switch

LAMPS

Supplied with 6V, 5.4W incandescent wedge base lamps

HEADS

Includes two incandescent lighting heads • Contemporary square head design • High performance chrome-plated metallized reflector and plastic lens for optimal light distribution • Adjustable lamp heads provide optimal center-to-center spacing.

BATTERY

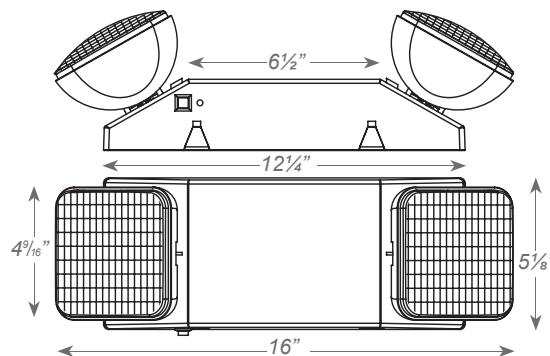
Maintenance-free 6V sealed lead calcium battery • Standard battery will operate fixture for a minimum of 90 minutes in the event of a power outage • Remote capable unit provides 11 Watts of remote capability for a minimum of 90 minutes.

CODE COMPLIANCE

UL924 • UL Listed for damp locations (20°C – 50°C) • NFPA 101 Life Safety Code compliant • NEC and OSHA compliant • Meets the State of Minnesota energy efficiency requirements.

WARRANTY

5-year warranty on housing and electronics. 1-year on battery. Product specifications subject to change without notice.



ENGINEERING DATA

Input Voltage	Max. Amps	Max. Watts
120	0.04	3.4
277	0.02	4.2

INSTALLATION

MOUNTING

Suitable for wall or ceiling mounting • Surface mount via easy connect back plate, which fits most standard junction boxes and snaps into place making internal electrical connections • Top and back knockout for conduit applications.



ORDERING INFORMATION

model	description	options	accessories
SQ-80	Two-Headed, Decorative Unit	SD = Self Diagnostics	VRS3 = Polycarbonate Vandal Shield
SQ-120	Two-Headed, Decorative Unit with Remote Capability	NC = Nicad Battery	WG5 = Wire Guard
		BL = Black Housing	3CP = 3FT. Cord and Plug
		USA = Assembled in USA	
		IH = Internal Heater	
		CUL ¹ = CUL Listed	

Notes

¹Units tested to meet requirements of CAN/CSA-c22.2 No. 141-02 standard for unit equipment.

Ordering Example SQ-80-SD



SQ-80 / SQ-120

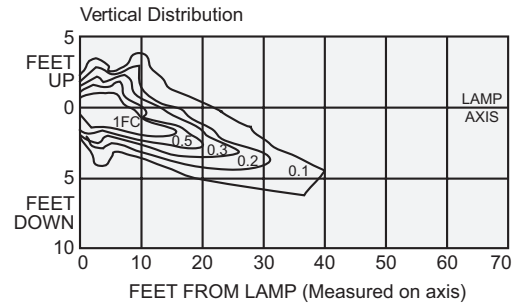
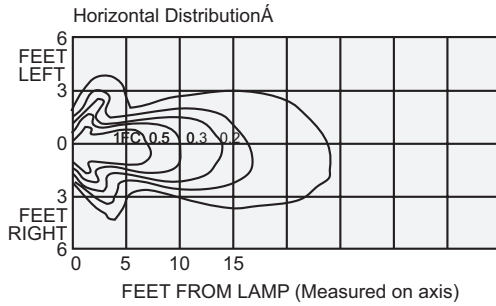
COMMERCIAL GRADE THERMOPLASTIC EMERGENCY LIGHT



PROJECT: _____
 FIXTURE TYPE: _____
 LOCATION: _____
 CONTACT/PHONE: _____

PHOTOMETRICS

6V, 5.4W Tungsten Wedge Base Lamp (ANSI 939), Square Head



BATTERY DATA

- Lead Calcium battery warranted for one full year with additional 4 years pro-rated warranty
- Recharges in 24 hours or less

Type	Battery Voltage	Shelf Life ¹	Expected Life ¹	Temperature Range ²
Lead Calcium (std.)	6V, 4.5Ah	15 months	5-8 years	40°F-95°F
Lead Calcium (HO)	6V, 7Ah	15 months	5-8 years	40°F-95°F

¹ At 77°F

² To obtain rated life and capacity.