

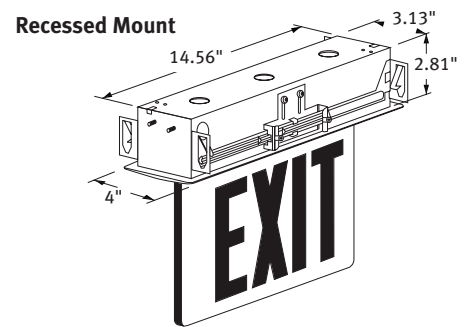
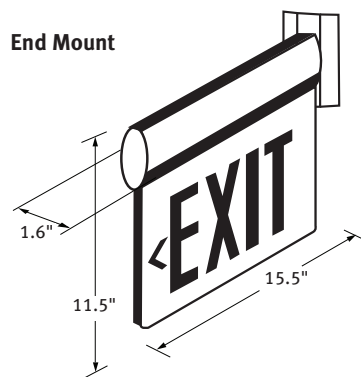
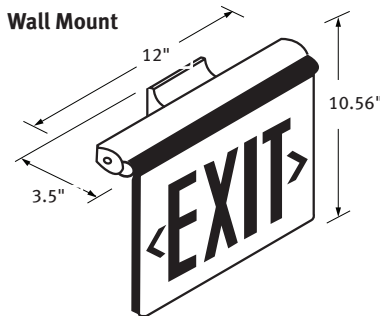
BENEFITS & FEATURES

ALL MODELS

- Minimalist inspired aluminum housing
- Housing available in brushed aluminum or powder coat white
- Contoured, high-style design
- Integrated and unique pivot system
- Surface mounted at almost any angle from 0 to 90 degrees
- Suitable for sloped ceilings or stairwells
- Ceiling, wall, end or pendant mounting standard
- Universal, field-installable chevrons
- Bright, even letter illumination
- Energy-saving operation
- Easy to install
- Dual voltage 120/277 standard with surge protection
- Red or green Super-bright LEDs
- Low voltage battery disconnect
- High clarity acrylic panel for single or double face configurations
- Single face configuration offered in clear panel
- Double face configuration offered in mirror panel
- Suitable for damp locations and indoor locations
- Total power consumption under 2 watts
- Instant visual verification of unit status

COMMERCIAL EDGE-LIT LED EXIT

The Pivotal is the latest generation edge-lit EXIT from the Mule design team. The Pivotal features an integrated and unique pivot system that allows the Pivotal to be installed on the wall, ceiling or sloped surface. Easy to specify, easy to install, the Pivotal is a universal edge-lit EXIT that is available in AC only, Self-Powered and Dual-Circuit configurations.



ORDERING INFORMATION

MODEL	# OF FACES	OPERATION	LETTER COLOR	MOUNTING	HOUSING COLOR	OPTIONS
PVT	1 = Single	A = AC Only	R = Red	U = Universal Surface	BA = Brushed Al.	SD = Self Diagnostics
	2 = Double	B = With Battery	G = Green	R = Recessed	WH = All White	
DLC = Dual Circuit						

Ordering Example: PVT-1-B-R-U-BA