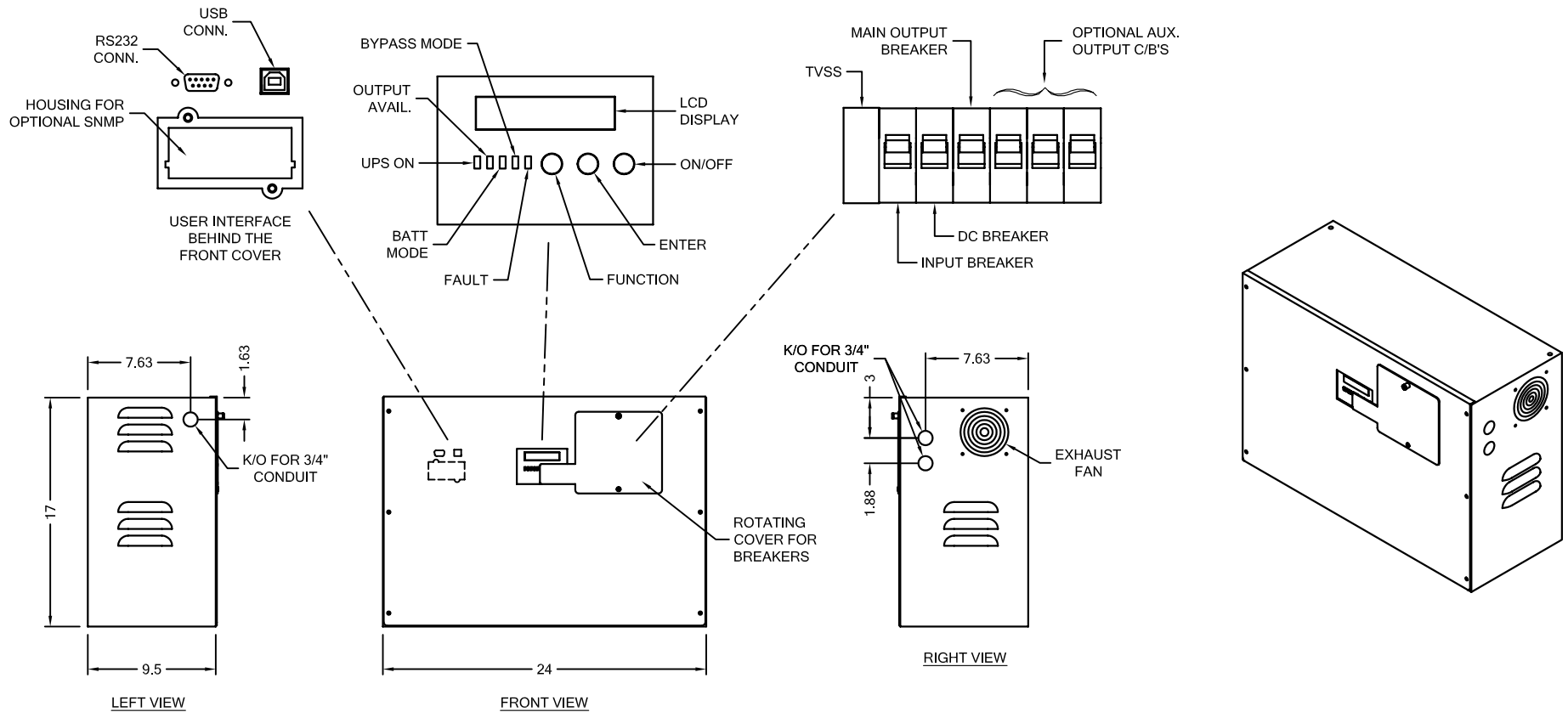


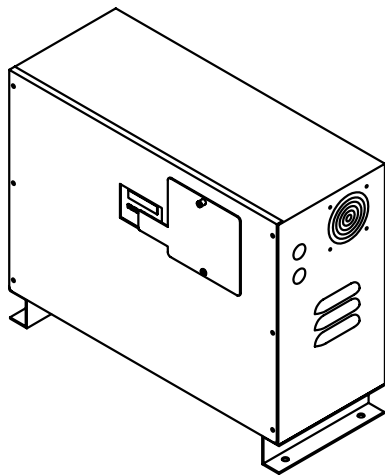
REVISION				
REV	ECO	DESCRIPTION	DATE	APPROVED
XS		"STANDARD MOUNTING" WAS "OPTIONAL WALL MOUNT"	2/7/12	H. BAIK



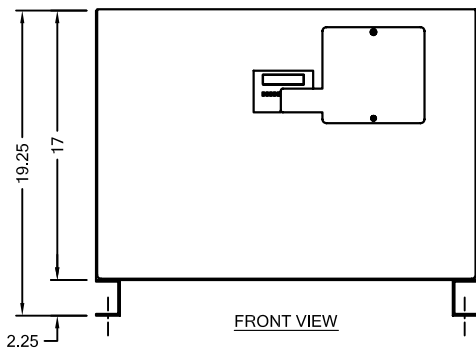
NOTES: (UNLESS OTHERWISE SPECIFIED)

- 1) ALL DIMENSIONS SHOWN ARE APPROXIMATE.
- 2) ENCLOSURE: INDOOR NEMA TYPE 1, COLOR WHITE.
- 3) RATING: FROM 100 W. TO 490 W.
- 4) WEIGHT: FROM 120 LBS UP TO 240 LBS (WITH BATTERIES).
- 5) MOUNTING DIMENSIONS ARE SHOWN ON PAGE 2.

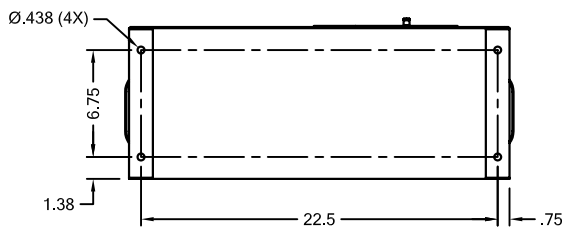
<input type="checkbox"/> APPROVED <input type="checkbox"/> DISAPPROVED DATE:		UNLESS OTHERWISE SPECIFIED, DIMENSIONS ARE IN INCHES. TOLERANCES ARE: DECIMALS FRACTIONS ANGLES .XXX ± .03 ± 1/64 ± 1/2° .XXX ± .010	TITLE	
<input type="checkbox"/> APPROVED WITH COMMENTS			MICRO INVERTER	
COMMENTS:		DRWN: HAI NGUYEN	10/5/10	SIZE
		CHKD: HAI NGUYEN	10/5/10	DWG
		APPVD: H. BAIK	10/5/10	B
NAME:		SCALE:	EST. WT:	REV
SIGNATURE:				X5
SPECIFICATIONS SUBJECT TO CHANGE WITHOUT NOTICE				



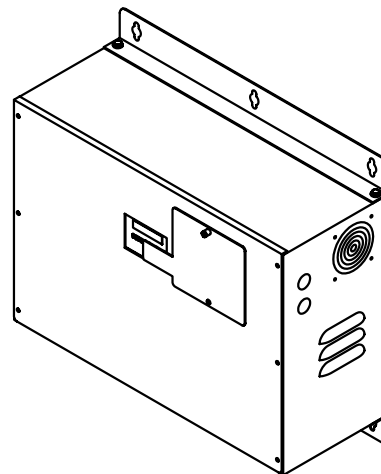
OPTIONAL FLOOR MOUNT



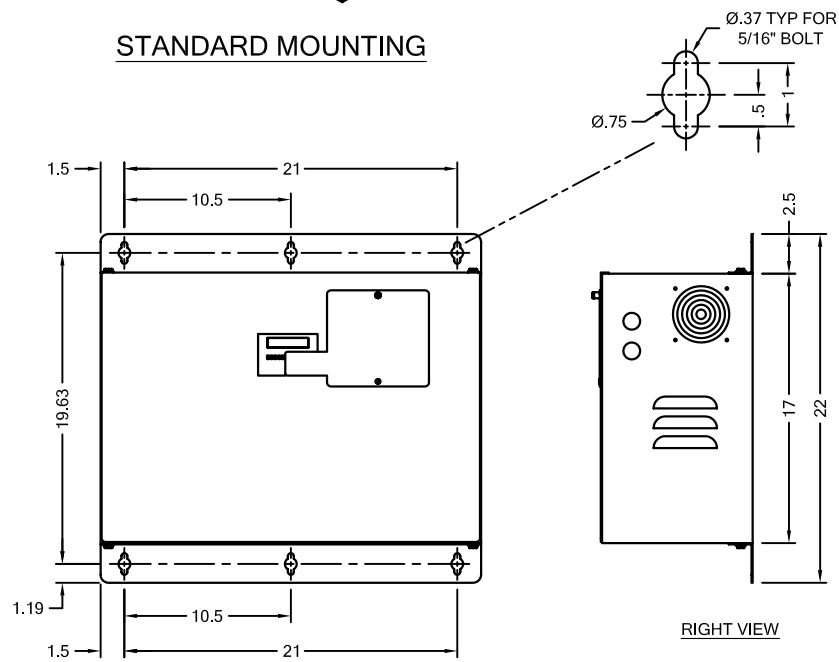
FRONT VIEW



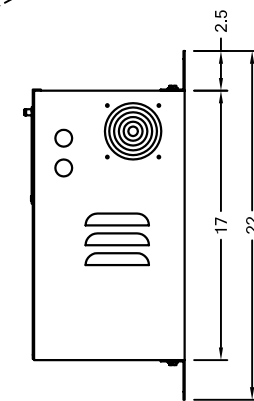
BOTTOM VIEW
(MOUNTING PATTERN)



STANDARD MOUNTING



FRONT VIEW
(MOUNTING PATTERN)



RIGHT VIEW

SIZE	DWG	6001-159C	REV
B			X5
SCALE:	EST. WT:	SHT 2 OF 2	