



Renaissance CEL Series - Surface

COMMERCIAL GRADE EDGE-LIT LED EXIT



PROJECT: _____
 FIXTURE TYPE: _____
 LOCATION: _____
 CONTACT/PHONE: _____

PRODUCT DESCRIPTION

The Renaissance Series surface mounted edge-lit exit features a universal mounting capability and provides an attractive yet easy to install exit sign. The crystal clear lens panel provides excellent light distribution, exit visibility and quick snap-in installation. The Renaissance incorporates long life, energy efficient LED lamps that reduce energy costs and eliminate routine lamp maintenance. The under five-minute installation time makes it the fastest installed edge-lit exit on the market today.

PRODUCT SPECIFICATIONS

CONSTRUCTION Crystal clear acrylic face panel • Mirrored or white divider provided on double face signs to simulate clear aesthetics • Extruded aluminum housing • Includes die cast aluminum canopy for top, back or end mounting • Pre-drilled canopy attachment locations with easily removed hole covers • 6" letters with 3/4" stroke width • Full-size, chevron directional indicators • Field-applied chevron directional indicators with pre-applied installation template • Red or Green letters • Available in anodized aluminum, black, and white finish.

ELECTRICAL

F wri'xqnci g'342499XCE'ÉTcvf 'hqt'wug'lp'f'co r'iqecv'kp'u'ÉUqrk' 'ucv'ej'cti'kpi' 'cpf' 'ly'kej'kpi' 'ÉDty'pqw'r'tqgev'kp'ÉDcwt'{' 'ny' 'xqnci'g'f'kueqppgev'ÉQxgt'qcf' 'cpf' 'uj'qt'v'ek'ewk'r'tqgev'kp'ÉCE'r'qy'gt' 'lpf'k'ecvt' 'cpf' 'g'uv'ly'kej'0

LAMPS

Nqpi' 'ihg'.'gpgti' {' 'ucx'kpi' 'NGF' 'rco' r'u'ÉT'gf' 'qt' 'Gtggp' 'NGF' 'hgw'gtu'ÉU'ki' pu'eqpuwo' g'hguu' 'j'cp'6'y'cwu0

BATTERY

Sealed, 4.8V maintenance-free nickel cadmium • Battery will operate sign for a minimum of 90 minutes in the event of a power outage. • Temperature rating is 0-50 degrees C.

CODE COMPLIANCE WN; 46'ÉF'co r'iqecv'kp'cvf' 'ÉP'HRC'323'Nhg'U'chgv' 'Eqf'g' 'eqo' r'rk'cpv'ÉP'GE' 'cpf' 'QU' 'C'eqo' r'rk'cpv0

WARRANTY

5-year warranty. Product specifications subject to change without notice.

INSTALLATION

MOUNTING

May be top, back or end mounted • All signs include die cast aluminum canopy and mounting hardware for easy top, back or end mount installation.



ORDERING INFORMATION

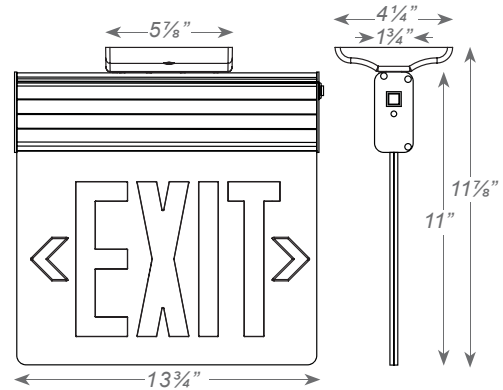
model	faces	operation	letter/panel	housing	mounting	options
CEL	1 = Single	A = AC Only	RC = Red on Clear	WH = White	U ¹ = Universal	SD ² = Self-Diagnostics
	2 = Double	B = Battery Backup	GC = Green on Clear	BL = Black	Surface Mount	DLC ³ = Dual Circuit Input
			RM = Red on Mirror	BA = Brushed Aluminum		SL = Special Lettering
			GM = Green on Mirror			USA = Assembled in USA
Notes			RW = Red on White			
			GW = Green on White			

¹ Includes canopy for ceiling, wall & end mounting

² Not available on AC units

³ AC only, use with inverter or generator applications only

⁴ Order as separate line item. Field installation



ACCESSORIES⁴

ACCESSORY	DESCRIPTION
PKCEL1	1ft Pendant Mount Kit
PKCEL2	2ft Pendant Mount Kit

Ordering Example: CEL-1-B-RC-BA-U-SD